

July, 2010

[For immediate Release]

Automotive Wiring and Electrical Systems Earns IAMA Award!



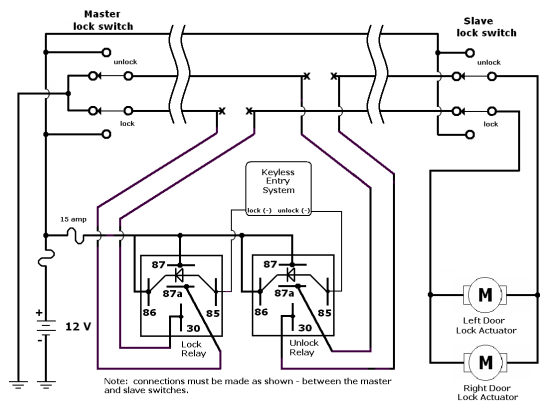
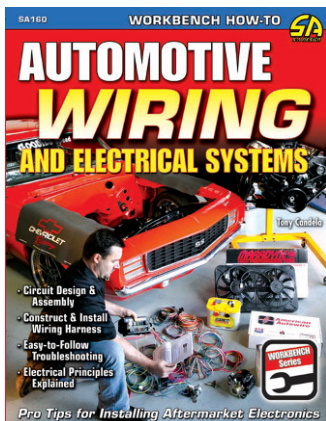
Tony Candela is very excited to announce that his book *Automotive Wiring and Electrical Systems* has earned an IAMA award for technical excellence. Specifically, the book was given a Bronze award in the category of Technical: How to do it.

The 19th International Automotive Media Competition concluded June 21, 2010, with the presentation of the 2009 International Automotive Media Awards (IAMAs). The event was held at the Automotive Hall of Fame, Dearborn, Michigan, in conjunction with the North American Concept Vehicles Awards. For more information about the IAMA, as well as a complete list of the automotive journalists awarded, [CLICK HERE](#).

"Automotive Wiring and Electrical Systems is a top 5 best-selling title at CarTech. It continues to sell well in all markets," commented CarTech Sales Manager Bob Wilson. *Automotive Wiring and Electrical Systems* is available for purchase at Barnes & Noble retail outlets, JEGS, Summit Racing Equipment, and Mobile Solutions. In addition, it is available from all of the online book resellers including Amazon.com.

Candela is currently under contract to write a second book, *Automotive Electrical Performance Projects*, also with CarTech. It is underway and scheduled to be published in the spring of 2011. He has partnered with Holley, MSD, AutoMeter, Fluke, JL Audio, MagnaFuel, Painless Wiring, ISIS Power, Mr. Gasket Company, XS Power, Iraggi Alternator, and numerous others for this second book.

For more information, please contact Candela Sales & Marketing at (602) 999-0942 or via Email at tony@candela-sales.com. Sales reps, retailers, distributors, or installation schools that are interested in selling the book can contact CarTech directly at (800) 551-4754 and speak with Bob Wilson.



sample diagram from chapter 8 – this is one of the 65 electrical diagrams presented in the book